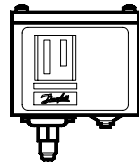


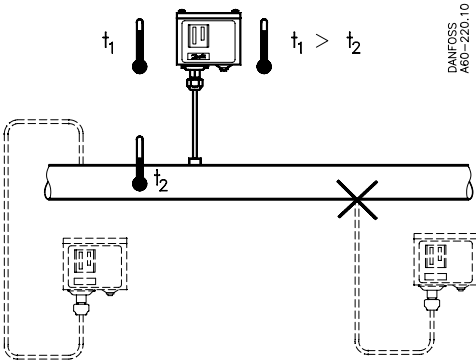
060R9504

060R9504

KP 1, 5: CFC, HFC, HCFC  
 KP 1A, 5A: R 717 (NH<sub>3</sub>)

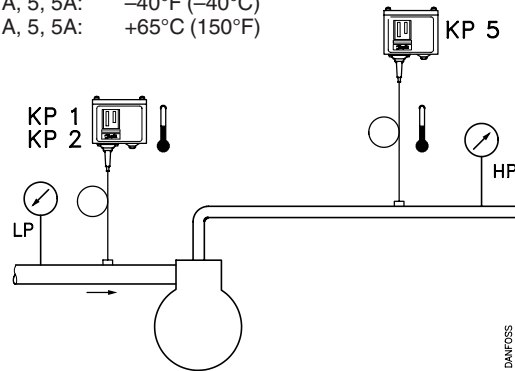


KP 1, 1A, 5, 5A



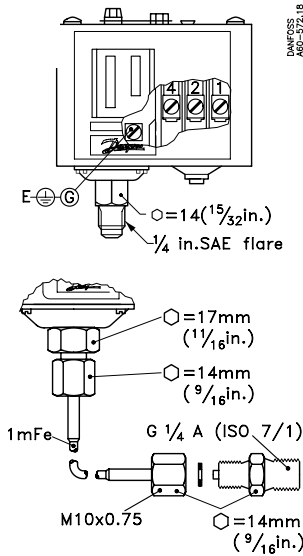
DANFOSS  
A60-220.10

t<sub>1</sub> min. KP 1, 1A, 5, 5A: -40°F (-40°C)  
 t<sub>1</sub> max. KP 1, 1A, 5, 5A: +65°C (150°F)

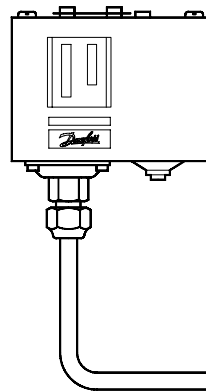


DANFOSS  
A60-571.16

### KP 1, 5

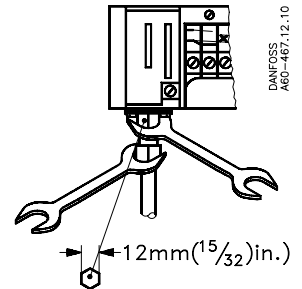


DANFOSS  
A60-572.18

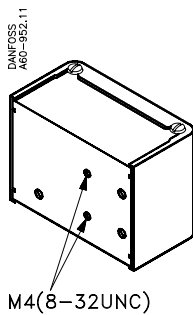


DANFOSS  
A60-573.17

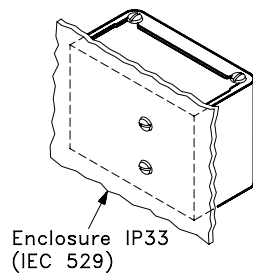
p<sub>test</sub> max.  
 KP 1, 1A: 20 bar p<sub>s</sub>  
 (285 psig)  
 KP 5, 5A: 33 bar p<sub>s</sub>  
 (470 psig)



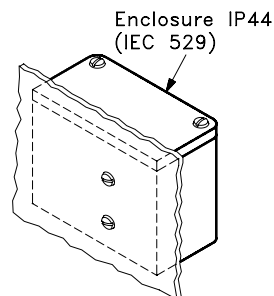
DANFOSS  
A60-467.12.10



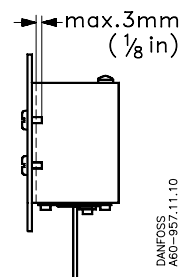
M4(8-32UNC)



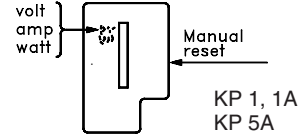
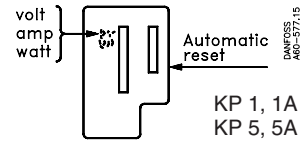
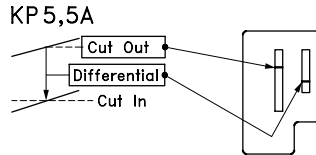
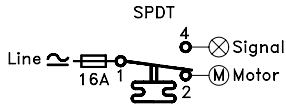
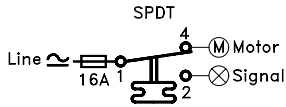
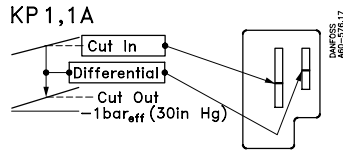
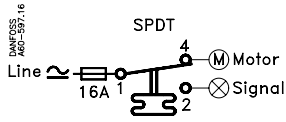
Enclosure IP33  
(IEC 529)



Enclosure IP44  
(IEC 529)



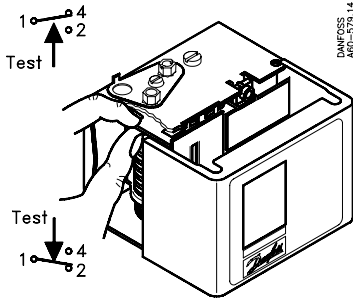
DANFOSS  
A60-857.11.10



### Contact load

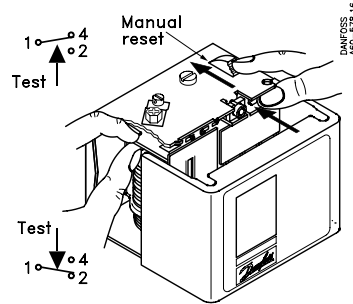
Regulation	Max.: 100 mA / 30 V	a.c. / d.c.
	Min.: 1 mA / 5 V	a.c. / d.c.
Alarm	Max.: 10 A / 400 V	a.c.
	12 W / 220 V	d.c.
	Min.: 1 mA / 5 V	a.c. / d.c.

### Automatic reset

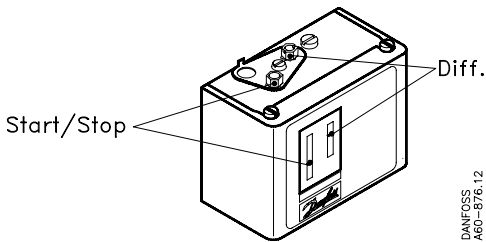


KP 1, 5, 5A

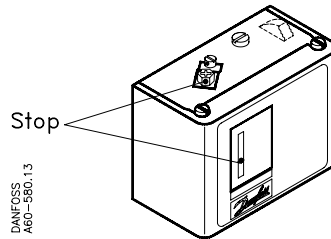
### Manual reset



KP 1, 1A, 5, 5A



KP 1, 1A, 5, 5A



KP 1, 1A, 5, 5A

Diff.  
KP 1, 1A: 0.7 bar (10 psi)  
KP 5, 5A: 3 bar (43 psi)

Type	Range	PB
KP 1	-0.2 → 7.5 bar	17 bar
KP 1 reset	-0.9 → 7 bar	17 bar
KP 5	8 → 32 bar	35 bar
KP 5 reset	8 → 32 bar	35 bar

### Start/Stop 360° ⊖ ⊕

KP 1, 1A:  
KP 5, 5A:

0.7 bar (10 psi)  
2.3 bar (33 psi)

### Diff. 360° ⊖ ⊕

KP 1, 1A: 0.2 bar (3 psi)  
KP 5, 5A: 0.3 bar (4 psi)

